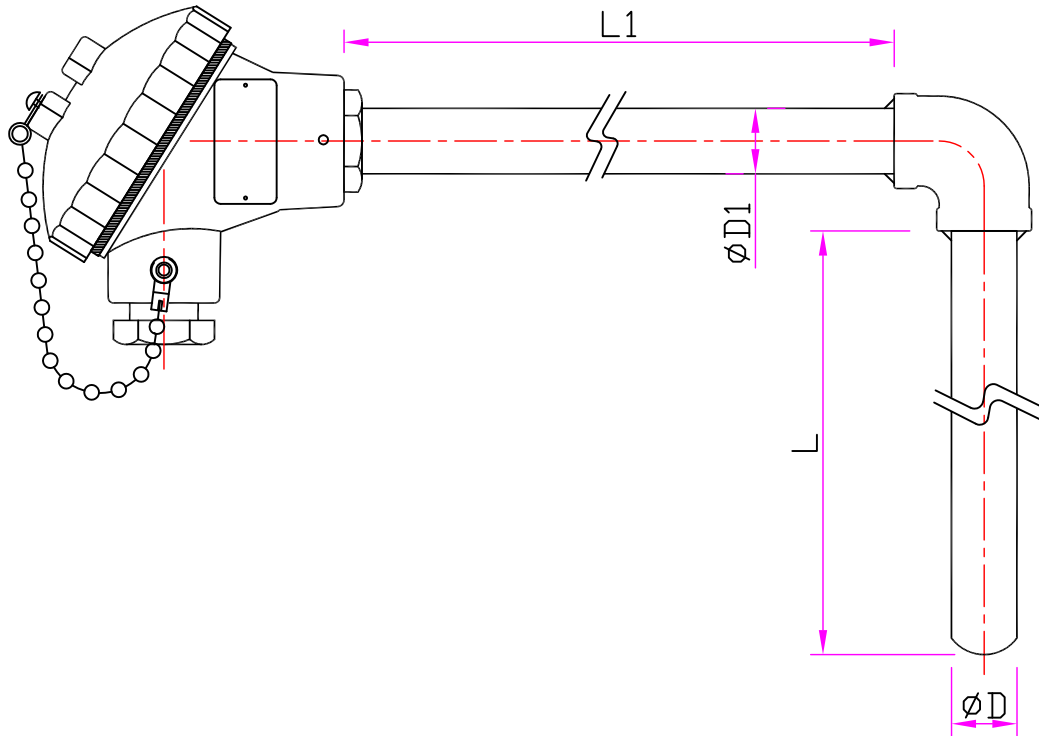


MODEL : DK-1350



1. HEAD

- Mini Standard Large
 Explosion Resistant _____

2. ELEMENT TYPE

- K J T E

3. ELEMENT GRADE

- 0.75

4. ELEMENT PAIR

- Single Double

5. SHEATH MAT'L

- SUS316 SUS310 INC.600
 Others _____

6. SHEATH DIA. (m/m)

- 1.0 1.6 2.3 3.2
 4.8 6.4 8.0 _____

7. PROTECTION TUBE MAT'L

- SUS304 SUS316 SUS316L
 SUS310 SUS446 INC.600
 Others _____

8. PROTECTION TUBE DIA. (m/m) (ϕD)

- 6.4 8.0 10.0 12.7
 15.0 17.3 21.7
 Others _____

9. SUPPORT TUBE MAT'L

- SUS304 SUS316 SUS316L
 SUS310 SUS446 INC.600
 Others _____

10. SUPPORT TUBE DIA. (m/m) ($\phi D1$)

- 12.7 15.8 21.7 22.3
 27.2 34.0 Others _____

11. LENGTH (m/m)

- L : _____ L1 : _____

12. TIP SHAPE

- GROUND UNGROUND EXPOSED

13. CABLE GLAND

- 1)TYPE PT NPT PF
2)SIZE 1/2 3/4 Others _____
3)PAIR Single Double(One Side)
 Double(Two Side)

SHEATHED
THERMOCOUPLE

DOOKWANG
MANUFACTURING CO.,LTD