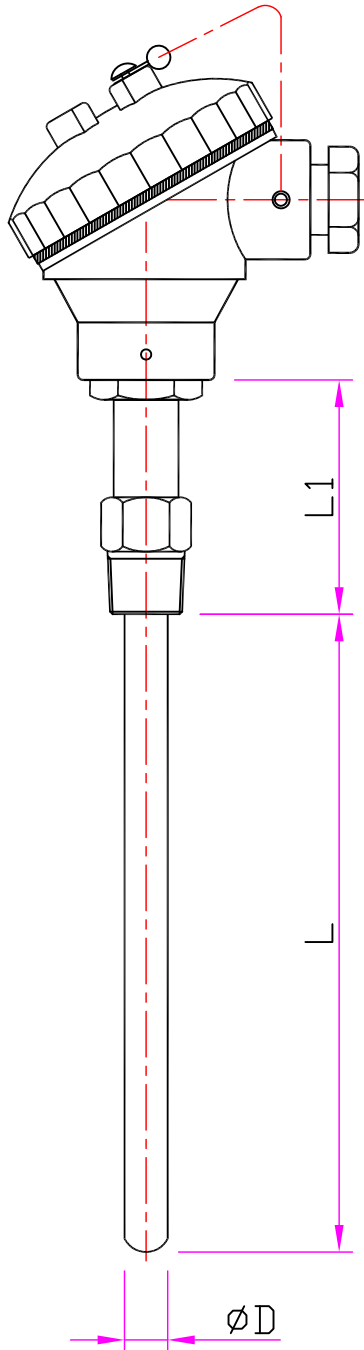


MODEL : DK-1403



1. HEAD

- Mini  Standard  Large  
 Explosion Resistant  \_\_\_\_\_

2. ELEMENT TYPE

- PT100Ω  PT1000Ω  PT500Ω  
 PT500Ω  Others \_\_\_\_\_  
 2Wire  3Wire  4Wire

3. ELEMENT GRADE

- A  B  Others \_\_\_\_\_

4. ELEMENT PAIR

- Single  Double

5. SHEATH MAT'L

- SUS316  SUS310  INC.600  
 Others \_\_\_\_\_

6. SHEATH DIA. (m/m)

- 2.3  3.2  4.8  6.4  
 8.0  Others \_\_\_\_\_

7. SUPPORT TUBE MAT'L

- SUS304  SUS316  SUS316L  
 SUS310  SUS446  INC.600  
 Others \_\_\_\_\_

8. SUPPORT TUBE DIA. (m/m)

- 12.7  15.8  21.7  22.3  
 27.2  34.0  Others \_\_\_\_\_

9. LENGTH (m/m)

L : \_\_\_\_\_ L1 : \_\_\_\_\_

10. THREAD

- 1)TYPE  PT  NPT  PF  
2)SIZE  3/8  1/2  3/4  1  
 Others \_\_\_\_\_

11. CABLE GLAND

- 1)TYPE  PT  NPT  PF  
2)SIZE  1/2  3/4  Others \_\_\_\_\_  
3)PAIR  Single  Double(One Side)  
 Double(Two Side)

SHEATHED RESISTANCE  
THERMOMETER

**DOOKWANG**  
MANUFACTURING CO.,LTD