



DK - 2810

Low differential pressure gauges

Applications

- Oil & Gas / Chemical
- Water & Waste water
- Air and gas and oil base liquids
- Laboratory & Medical

Technical Data

Dial size	100 mm
Accuracy	± 2.0 % of full scale ± 3.0 % of full scale (± 5mm, ±25mm, 10mm) ± 4.0 % of full scale (3000mm, 5000mm)

Operating Temperature	- 10 ~ 60 °C
-----------------------	--------------

Pressure connection	PT 1/8" (Female)
---------------------	------------------

Material

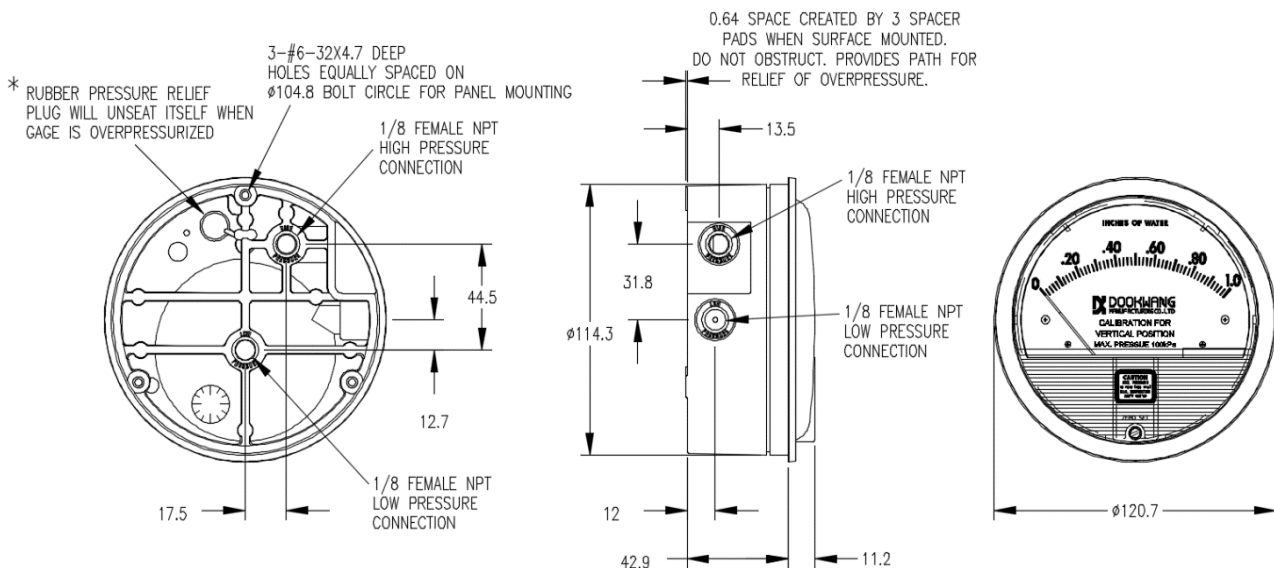
Case / Ring	Die cast aluminum
Window	Acrylic
Pointer	Aluminum Alloy, Black finished
Element	Silicone rubber

Pressure Limitation	Steady pressure : 75% of full scale Over pressure protection : 100kPa
---------------------	--

Degree of Protection	IP 65
----------------------	-------



Dimension





DK - 2810

Low differential pressure gauges

Ordering details

	DK		-					
Model	Low differential pressure gauge						2810	
Mounting Type	mounting bracket						A	
	without mounting bracket						B	
Instrument connection	1/8" Feamle						1	
Pressure range								
	-5 ... 5							0
	-25 ... 25							1
	-50 ... 50							2
	-100 ... 100							3
	0 ... 100							4
	0 ... 300							5
	0 ... 500							6
	0 ... 1000							7
	0 ... 2000							8
	0 ... 3000							9
	0 ... 5000							10
Pressure range UNIT								
	mm of water							1
	mmH2O							2
	Pa							3
	kPa							4