



DK - 3100

Bimetal thermometer

Introduction

- For corrosive passes and liquids
- Wetted parts stainless steel

Applications

- Oil & Gas / Chemical
- Water & waste water
- Energy
- Process Technic
- Food and Beverage



Technical Data

| | |
|-------------------|------------------------------|
| Nominal size | 100 / 150 mm |
| Temperature range | - 70 ... 600 °C |
| Accuracy | ± 1.0 % of full scale |
| Protection rating | IP 67 |
| Immersion tube | 316 SS |
| Case | 304 SS |
| Bezel ring | 304 SS |
| Window | Instrument glass |
| Window Gaskets | Elastomer |
| Dial | Aluminium, White |
| Pointer | Aluminium, Black, Adjustable |

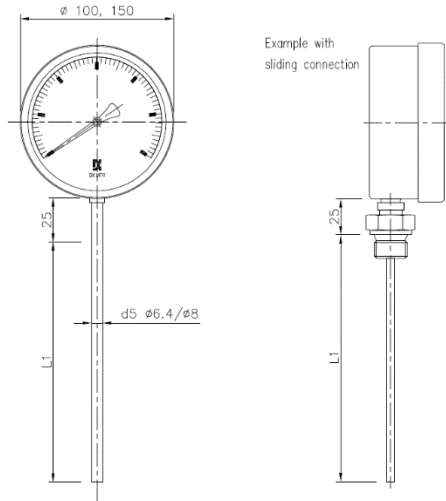




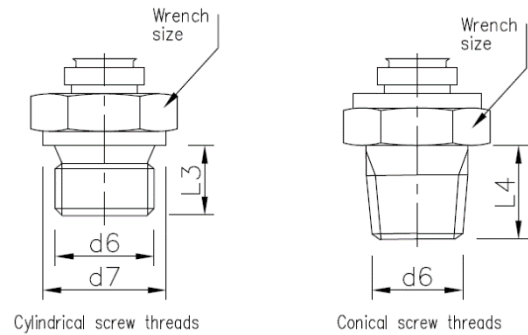
DK - 3100

Bimetal thermometer

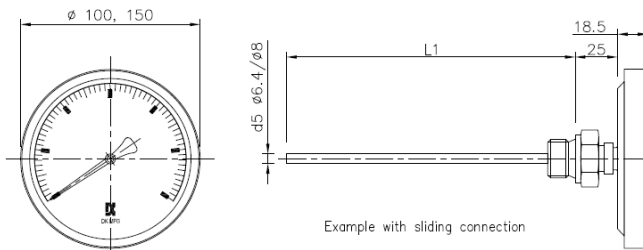
Drawing - Immersion tube bottom (Dimension in mm)



Drawing - connections

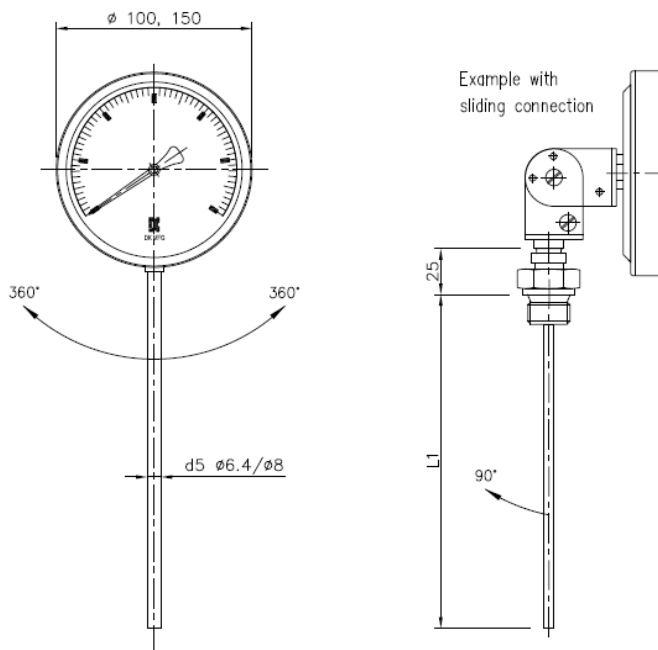


Drawing - Immersion tube center back (Dimension in mm)



| d6 | d7 | L3 | L4 | Weight(kg) | |
|----------------|----|----|----|------------|------|
| | | | | sliding | fix |
| G1/2" MALE | 26 | 15 | - | 0.095 | 0.09 |
| G3/4" MALE | 32 | 1 | - | 0.15 | 0.14 |
| G1" MALE | 39 | 19 | - | 0.21 | 0.24 |
| M20×1.5 MALE | 27 | 14 | - | 0.09 | 0.09 |
| M24×1.5 MALE | 27 | 15 | - | 0.11 | 0.11 |
| 1/2"-14NPTmale | - | - | 20 | 0.095 | 0.1 |

Drawing - Immersion tube center back, every angle (Dimension in mm)





DK - 3100

Bimetal thermometer

Ordering details

| | DK | | - | | | | |
|----------------------------------|------|--|---|---|---|---|--|
| Model | | | | | | | |
| Bottom | 3101 | | | | | | |
| Center back | 3102 | | | | | | |
| Center back , every angle | 3103 | | | | | | |
| Remote type | 3104 | | | | | | |
| Case | | | | | | | |
| 100 mm (304) | | | | 1 | | | |
| 150 mm (304) | | | | 2 | | | |
| Instrument connection | | | | | | | |
| without connection | | | | | 0 | | |
| 1/2" PF male | | | | | 1 | | |
| 1/2" NPT male | | | | | 2 | | |
| 3/8" PF male | | | | | 3 | | |
| 3/8" NPT male | | | | | 4 | | |
| 1/4" PF male | | | | | 5 | | |
| 1/4" NPT male | | | | | 6 | | |
| other | | | | | 7 | | |
| Immersion tube diameter | | | | | | | |
| 6.35 mm | | | | | | 1 | |
| 8.0 mm | | | | | | 2 | |
| Temperature range code | | | | | | | |
| see temp. range code | | | | | | | |
| Immersion tube Length(mm) | | | | | | | |

Temperature Range code

| Code | Range (°C) |
|------|--------------|
| R01 | -50 ... 50 |
| R02 | -50 ... 100 |
| R03 | 30 ... 50 |
| R04 | -30 ... 100 |
| R05 | -30 ... 120 |
| R06 | -20 ... 50 |
| R07 | -20 ... 100 |
| R08 | -20 ... 150 |
| R09 | -10 ... 50 |
| R10 | 0 ... 30 |
| R11 | 0 ... 50 |
| R12 | 0 ... 60 |
| R13 | 0 ... 70 |
| R14 | 0 ... 80 |
| R15 | 0 ... 100 |
| R16 | 0 ... 120 |
| R17 | 0 ... 150 |
| R18 | 0 ... 200 |
| R19 | 0 ... 250 |
| R20 | 0 ... 300 |
| R21 | 0 ... 400 |
| R22 | 0 ... 500 |
| R23 | 0 ... 600 |

Ordering example

| | | | | | | | |
|----|------|---|---|---|---|-----|-----|
| DK | 3703 | - | 1 | 2 | 1 | R15 | 150 |
|----|------|---|---|---|---|-----|-----|

Center back , every angle
 100 mm (304)
 1/2" NPT male
 6.35 mm
 Temperature range : 0 ... 100 °C
 Immersion tube length ... 150 mm

